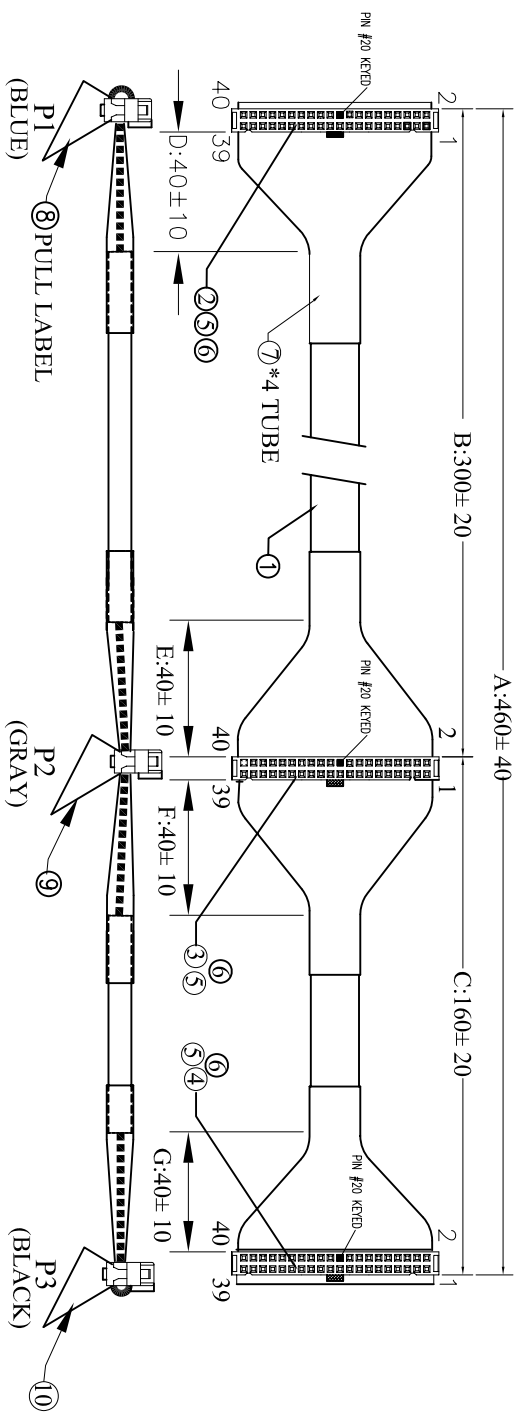
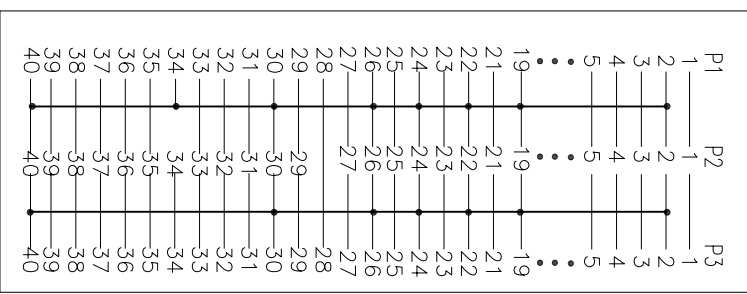
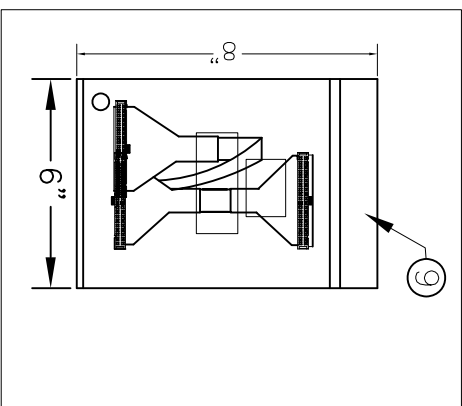


Signature	Revision History	Date	Rev.
Norman Xu	For Bulk Production	Nov 10,2006	01



NOTE:

1. CABLE: UL20276 30#40P+A+B, OD: 9.5MM, CLEAR COLOR,LENGTH=530MM.
2. ATA CONNECTOR BLUE, W/NOSE 40PIN W/KEY, ONE SET 3 PARTS.
3. ATA CONNECTOR GREY, W/NOSE 40PIN W/KEY, ONE SET 3 PARTS.
4. ATA CONNECTOR BLACK, W/NOSE 40PIN W/KEY, ONE SET 3 PARTS.
5. ATA MIDDLE COVER, BLACK COLOR.
6. ATA SR.
7. CLEAR(TRANSSPARENT) PLASTIC TUBE,OD:10.0MM. 4PCS.
8. BLACK ADHESIVE PLASTER, W:5MM...2PCS.
9. PE BAG 6"×8"×0.08MM
10. BLUE PULL LABEL 50*80MM PRINT "ATA133 SYSTEM BOARD".



Date	Name
Nov 10,2006	Norman Xu
Checked by Nov 10,2006	Alex Dan
Approved by	

Part No.	AK-ATA133-1ROUND-LC
Title:	ATA 133 Hard Drive Connector Cable, Round

ASSMANN
Electronic GmbH

Scale	N/A	Sheet	1/1
Unit	MM		

RoHS Compliant

EAN Code:
4016032166283

STR2436

1	2	3	4	5	6	7	
1	2	3	4	5	6	7	