

1

2

3

4

5

6

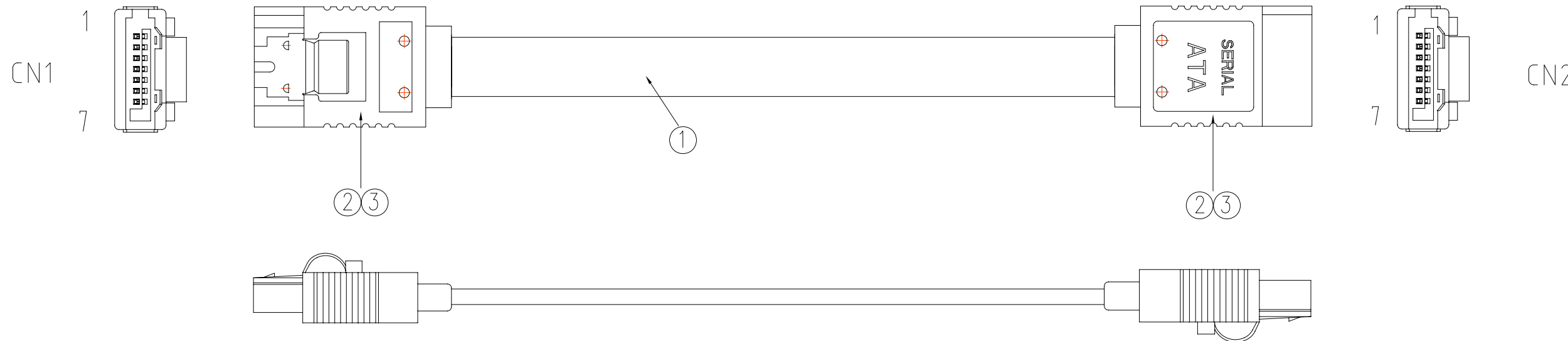
7

Signature	Revision History	Date	Rev.
Alex.Dan	For Bulk Production	Dec.20,2006	01

A

A

1000±20mm



B

B

C

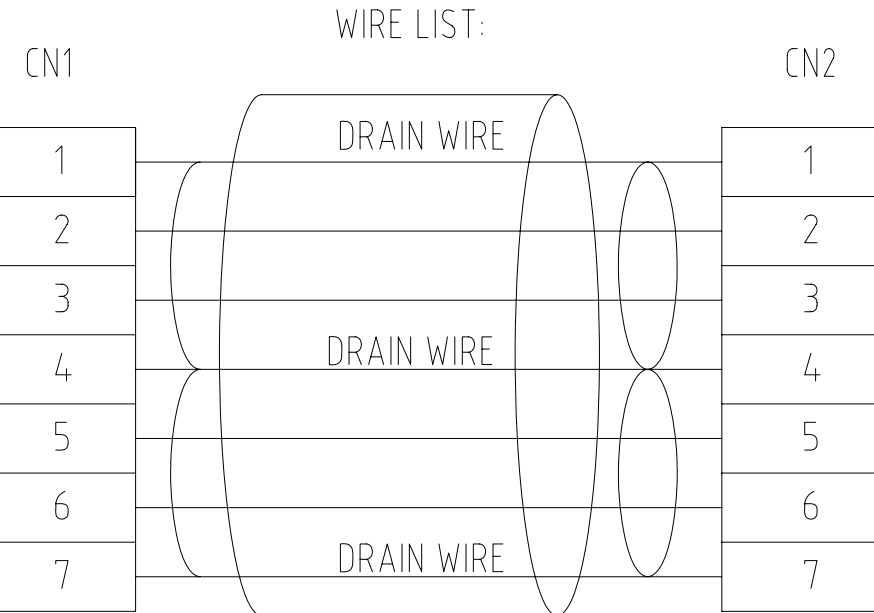
C

D

D

TEST:
 1.100% OPEN&SHORT WITH MISS WIRE TEST
 2.TEST CONDITION:

- 1).CONDUCTANCE RESISTANCE: 5 ohm
- 2).SHORT OPEN DETERMINANT: 20K ohm
- 3).INSULATION RESISTANCE: 5M ohm AT DC 300V.
- 3.PACKING:SEE P-0039 REV.C PACKING DRAWING



E

E

F

F

3	OUTER MOLD:35P PVC BLACK	A/R
2	SATA 7F 15u" BLACK 180° W/SPRING	2SETS
1	UL2725(26WG×2C+2D+AE)×2C RED(PANTONE 200C), OD:2.2×7.8mm	A/R
ITEM	DESCRIPTION	Q'TY

G

G

H

H

RoHS Compliant

EAN Code:
4016032187592

ST81407

	Date	Name	Part No. AK-SATA-100-L
Drawn by	Dec.20,2006	Alex Dan	
Checked by	Dec.20,2006	Norman Xu	
Approved by			Title. Serial ATA Connectioncable with metal latch
ASSMANN Electronic GmbH			
			Scale
Unit	MM	1/1	

1

2

3

4

5

6

7