

1

2

3

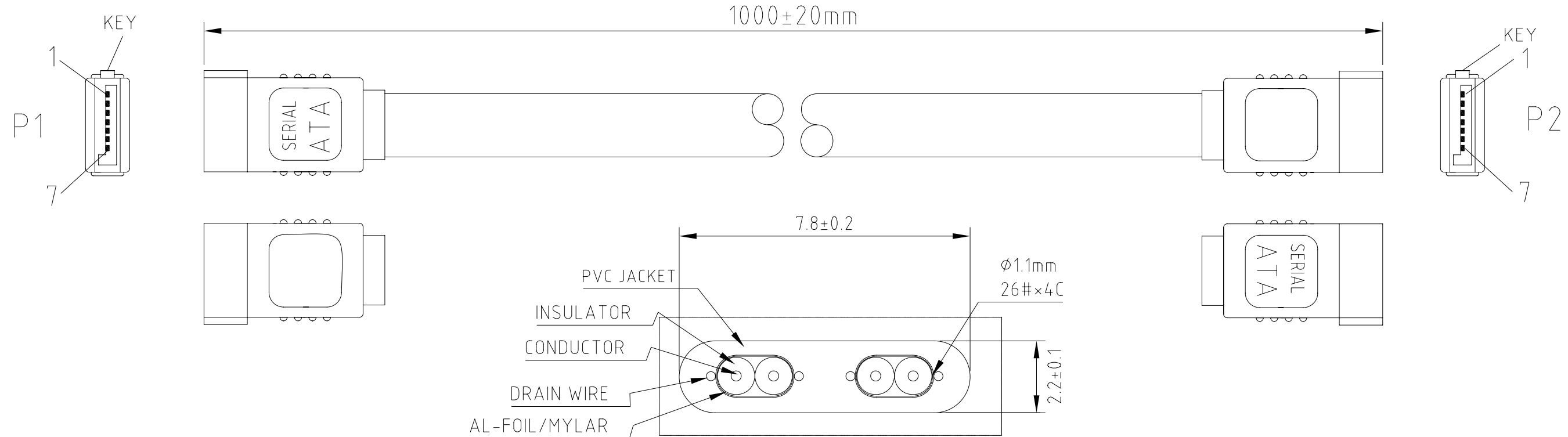
4

5

6

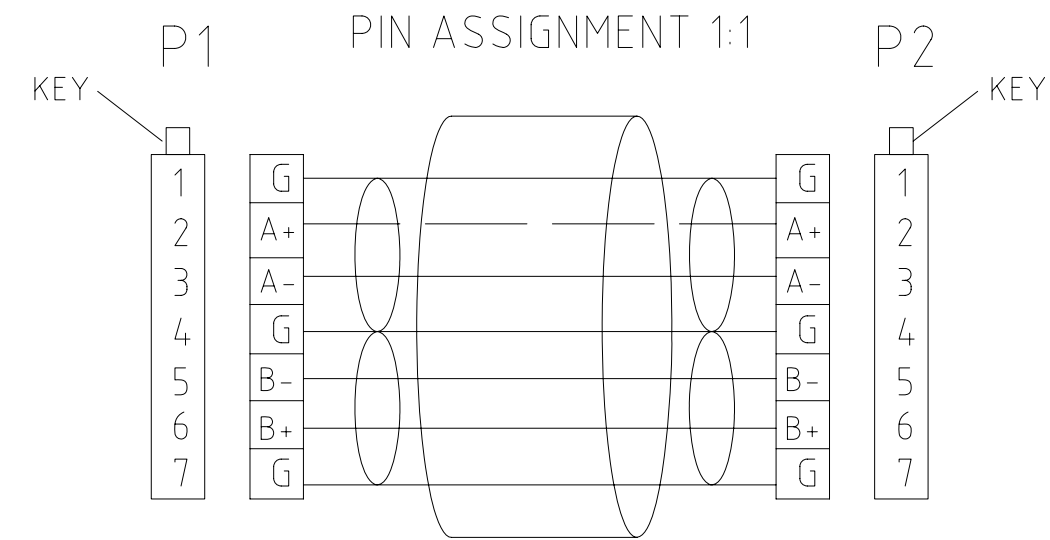
7

Signature	Revision History	Date	Rev.
Alex.Dan	For Bulk Production	Dec.20,2006	01



NOTE:

- CABLE:
UL2725 80°C 30V [26AWG(1/0.404)×2F+AL/MY+DRAIN WIRE(1/0.32)×2]TIN
INS:FOAM-PE OD:φ1.1±0.05mm
PVC JACKET OD:φ(2.2±0.1)×(7.8±0.2)mm COLOR:RED (PANTONE 200C)
PRINT: 2725 E209329 UL AWM 80°C 30V VW-1 Serial ATA 26AWG
IMPEDANCE: 100±5 OHM
- CONNECTOR:
2-1 MATERIAL:
HOUSING: HIGH TEMPERATURE POLYESTER & GLASS FIBER UL 94V-0
TERMINAL: COPPER ALLOY
2-1 PLATING:
CONTACT AREA: 15u" GOLD PLATED
- HOOD: MOLDED TYPE, PVC 45P, COLOR:BLACK
- CABLE ASS'Y ELECTRICAL TEST:
4-1 100% OPEN SHORT & MIS WIRE TEST
4-2 CONTACT RESISTANCE 2 OHM MAX
4-3 INSULATION RESISTANCE 20M OHM MIN
- PACKING: SEE P-0039 REV.C PACKING DRAWING



RoHS Compliant

EAN Code:
4016032121138

ST81407

	Date	Name	Part No. AK-SATA-100
Drawn by	Dec.20,2006	Alex Dan	
Checked by	Dec.20,2006	Norman Xu	
Approved by			
ASSMANN Electronic GmbH			Title. Serial ATA Connector Cable
Scale	N/A	Sheet	1/1
Unit	MM		

1

2

3

4

5

6

7