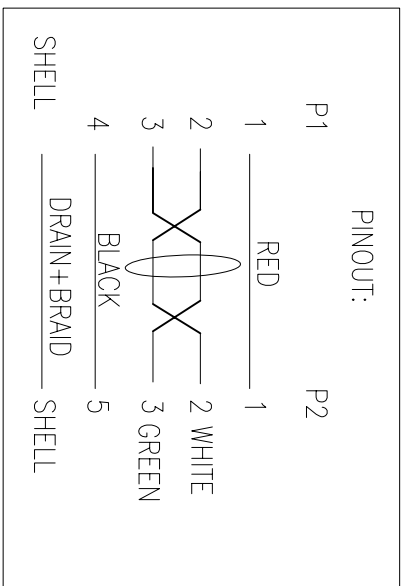
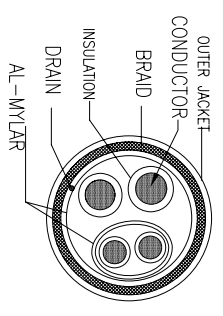
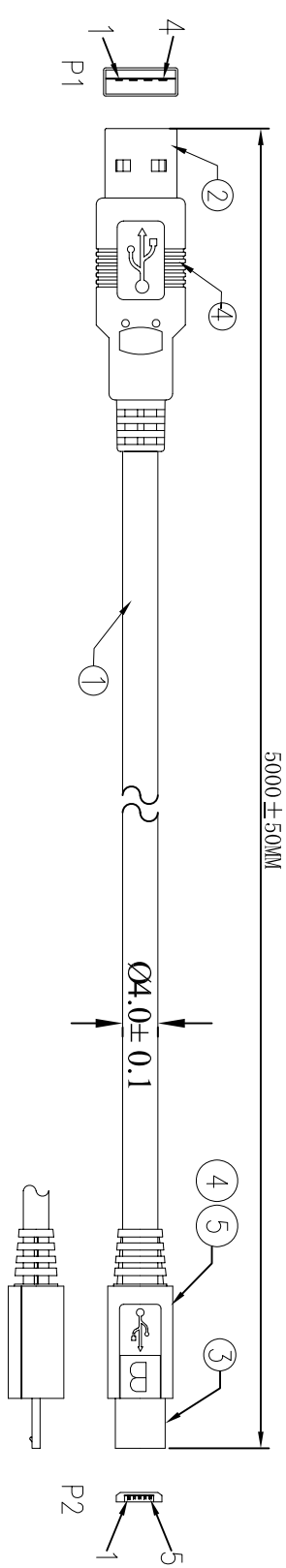
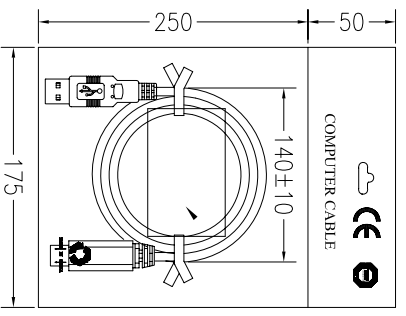


Signature	Revision History	Date	Rev.
Norman Xu	First Release	Jan.18.2007	01



NOTES:

1. CABLE: UL2725 (28#1P+AL)+28#2C+A+D+B(65%), OD:4.0MM, BLACK.
2. USB A TYPE, 4P MALE, WHITE INSULATION, 30U" GOLD-PLATED CONTACT, SOLER TYPE.
3. Micro USB B TYPE, 30U" GOLD-PLATED CONTACT, SOLDER TYPE.
4. OUTER JACKET: PVC 45P BLACK COLOR.
5. INNER JACKET: PE



RoHS Compliant

1	2	3	4	5	6	7	
A	B	C	D	E	F	G	H

Part No.		AK 67423	
Drawn by	Jan. 18, 2007	Name	Norman Xu
Checked by	Jan. 18, 2007		Alex
Approved by	Jan. 19, 2007		Heralt Khnzal

ASSMANN Electronic GmbH			
Title: USB A/M TO MIC USB B/M 5M			
Scale	N/A	Sheet	1/1
Unit	MM		

ST82436