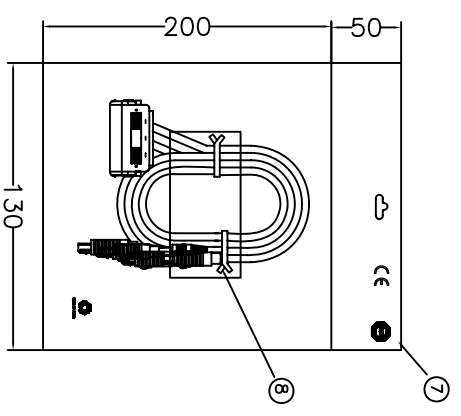


NOTES:

1. SERIAL ATA CABLE [26#(1/0.40TA)\*2F+2D(1/0.32TA)]\*2 OD:2.2\*7.6MM RED.
2. SATA 7PIN CONNECTORS\*4PCS, WITH LATCH
3. SAS 32PIN CONNECTOR BLACK TERMINALS IN GOLD FLASH.
4. NON-UL 30#(7/0.11TA)\*6C+P,OD:3.2 BLACK.
5. PH.:2.54MM 6PIN HSG.(2x3),BLACK COLOR.
6. PH:2.54MM TERMINALS GOLD FLASH(WT: A2541T3B-00).
7. OPP BAG 130\*200\*0.04MM YELLOW COLOR.
8. CABLE TIE WHITE 12CM



RoHS Compliant

1	2	3	4	5	6	7																		
A	B	C	D	E	F	G	H																	
				<table border="1" style="width: 100%; border-collapse: collapse;"> <tr> <td style="width: 50%;"></td> <td style="width: 50%; text-align: center;">Part No.</td> </tr> <tr> <td colspan="2" style="text-align: center; font-size: 24pt; font-weight: bold;">AK-SAS01</td> </tr> <tr> <td colspan="2">Title:</td> </tr> <tr> <td colspan="2" style="text-align: center;">SAS 32PIN TO 4*SATA W/LATCH+6P HSG.1.0M</td> </tr> </table>			Part No.	AK-SAS01		Title:		SAS 32PIN TO 4*SATA W/LATCH+6P HSG.1.0M				G	H							
	Part No.																							
AK-SAS01																								
Title:																								
SAS 32PIN TO 4*SATA W/LATCH+6P HSG.1.0M																								
				<table border="1" style="width: 100%; border-collapse: collapse;"> <tr> <td style="width: 33%;">Drawn by</td> <td style="width: 33%;">Date</td> <td style="width: 33%;">Name</td> </tr> <tr> <td>Sep. 05 2006</td> <td>Sep. 05 2006</td> <td>Norman Xu</td> </tr> <tr> <td>Checked by</td> <td></td> <td></td> </tr> <tr> <td>Sep. 05 2006</td> <td></td> <td>Harald Kinzhal</td> </tr> <tr> <td>Approved by</td> <td></td> <td></td> </tr> </table>		Drawn by	Date	Name	Sep. 05 2006	Sep. 05 2006	Norman Xu	Checked by			Sep. 05 2006		Harald Kinzhal	Approved by					G	H
Drawn by	Date	Name																						
Sep. 05 2006	Sep. 05 2006	Norman Xu																						
Checked by																								
Sep. 05 2006		Harald Kinzhal																						
Approved by																								
				<table border="1" style="width: 100%; border-collapse: collapse;"> <tr> <td style="width: 33%; text-align: center; font-size: 24pt; font-weight: bold;">ASSMANN</td> <td style="width: 33%; text-align: center;">Electronic GmbH</td> <td style="width: 33%;"></td> </tr> <tr> <td style="text-align: center;">Scale</td> <td style="text-align: center;">Unit</td> <td style="text-align: center;">Sheet</td> </tr> <tr> <td style="text-align: center;">N/A</td> <td style="text-align: center;">MM</td> <td style="text-align: center;">1/1</td> </tr> </table>		ASSMANN	Electronic GmbH		Scale	Unit	Sheet	N/A	MM	1/1			G	H						
ASSMANN	Electronic GmbH																							
Scale	Unit	Sheet																						
N/A	MM	1/1																						
				<table border="1" style="width: 100%; border-collapse: collapse;"> <tr> <td style="width: 33%; text-align: center;">1</td> <td style="width: 33%; text-align: center;">2</td> <td style="width: 33%; text-align: center;">3</td> </tr> <tr> <td style="width: 33%; text-align: center;">4</td> <td style="width: 33%; text-align: center;">5</td> <td style="width: 33%; text-align: center;">6</td> </tr> </table>		1	2	3	4	5	6			G	H									
1	2	3																						
4	5	6																						

STR2438