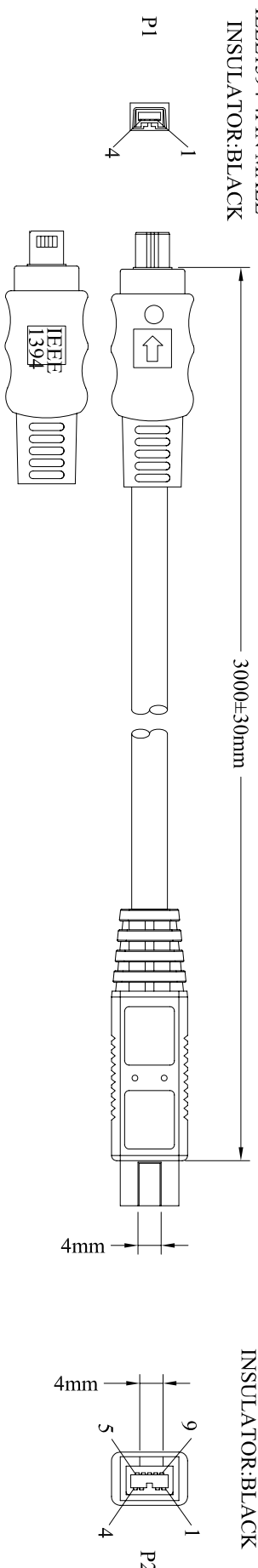


Signature	Revision History	Date	Rev.
Norman Xu	For Bulk Production	Dec.20,2005	01

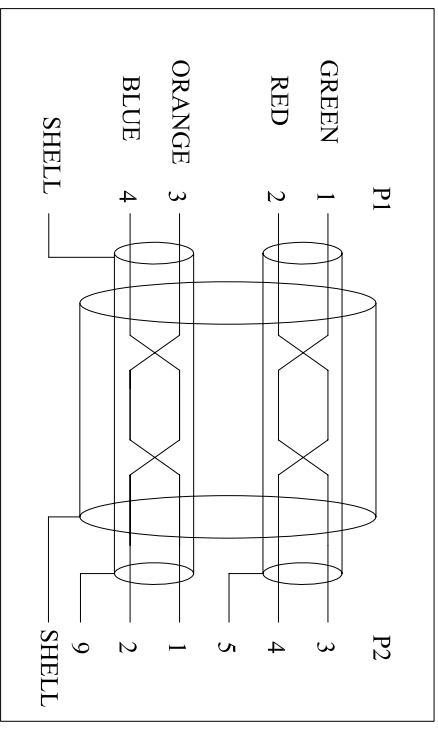
IEEEE1394 4PIN MALE
INSULATOR:BLACK

IEEEE1394b 9PIN BILINGUAL MALE
INSULATOR:BLACK



NOTES:

- CABLE: {30AWG(7/0.103)*1PAIR+DRAIN WIRE(7/0.103)*2C+AL/MY+MY*2C +26AWG(7/0.163)*2C+MY*1+AL/MY+85% BRAID(16/6/0.12)} TIN
30AWG INS:FO-SKIN ID:Ø0.9±0.01mm COLOR:RED&GREEN, BLUE&ORANGE
26AWG INS:SR-PVC ID:Ø1.0±0.07mm COLOR:WHITE, BLACK
PVC JACKET COLOR:BLACK, OD:5.5±0.2mm
UL20276 IEEE 1394 CABLE
- CONNECTOR:
P1: IEEEE1394 4PIN MALE GOLD PLATED 15U" CONTACT
NICKEL PLATED SHELL.
P2: IEEEE1394b 9PIN BILINGUAL MALE GOLD PLATED 15U" CONTACT
NICKEL PLATED SHELL.



- 100% OPEN SHORT & MIS WIRE TEST
- CONTACT RESISTANCE 3 OHMS MAX
- INSULATION RESISTANCE 20M OHMS MIN
- HI-POT: DC 300V / 0.01 sec
- PACKING:SEE P-0039 REV.C PACKING DRAWING
PACKING TYPE: DB VP3.
(HANKING SIZE MUST BE SMALLER THAN PACKING)

EAN Code:
4016032142263

Drawn by	Dec.20,2005	Norman Xu
Checked by	Dec.20,2005	Alex Dan
Approved by		

Part No.	AK-1394B-304
Title.	1394 4PIN MALE - 1394B 9PIN BILINGUAL MALE CABLE
Scale	N/A
Unit	MM
Sheet	1/1

1	2	3	4	5	6	7	A
1	2	3	4	5	6	7	H

STRAP