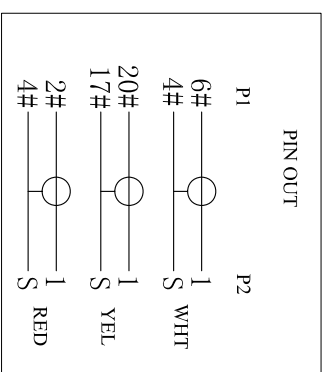
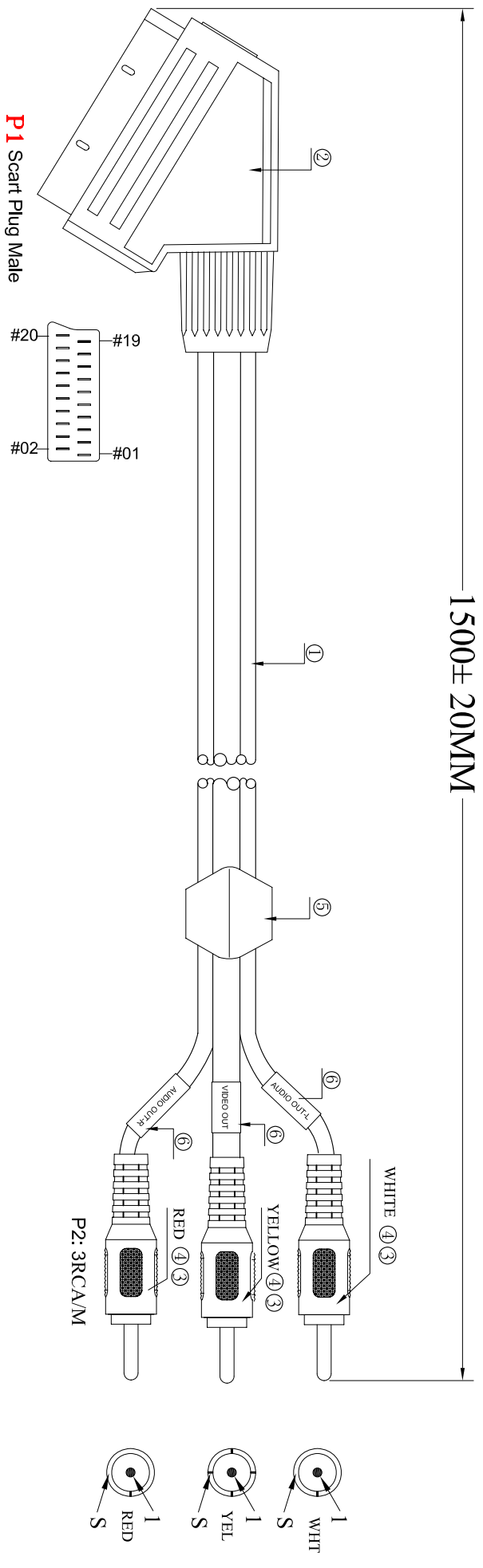


Signature	Date	Rev.
Norman Xu	Nov.10.2006	01
Revision History		
Firstly released		

1500± 20MM



- NOTES:.
1. Cable:Flat OD:5.0\*12MM,[10/0.1BC+PVC+SPIRAL(28/0.1BC)+PVC,OD:3.5MM]\*2C+ COXIAL CABLE:1/0.65BC,JD3.7+AL+BRAID(32/0.1BC)+PVC,OD5.0MM] Black Color.
  2. P1,SCARAT Male Nickel-Plated CONN 20PIN male crimp type inside black insulation .
  3. RCA Male, Nickel plated shell and contact, Molding type.
  4. Molding Material, PVC 45P
  5. SR. PVC Molding type.
  6. Stick Label 3PCS
  6. Electrical Properties
1. It shall not have any open/short, miswiring and Intermittent failures .
  2. The cable assembly shall be 100% electrical test .
  3. DC test: 300V .
  4. Insulation Resistance: 5M ohm .
  5. Conduance Resistance: 3.0 ohm .

	Date	Name
Drawing by	Nov.10.2006	Norman Xu
Checked by	Nov.10.2006	ALEX DAN

Part No.	AK 392
Title:	Scart Video Cable

RoHS Compliant

H	1	2	3	4	5	6	7	H
G								G
F								F
E								E
D								D
C								C
B								B
A								A

Scale	N/A	Sheet	1/1
Unit	MM		

**ASSMANN**  
Electronic GmbH