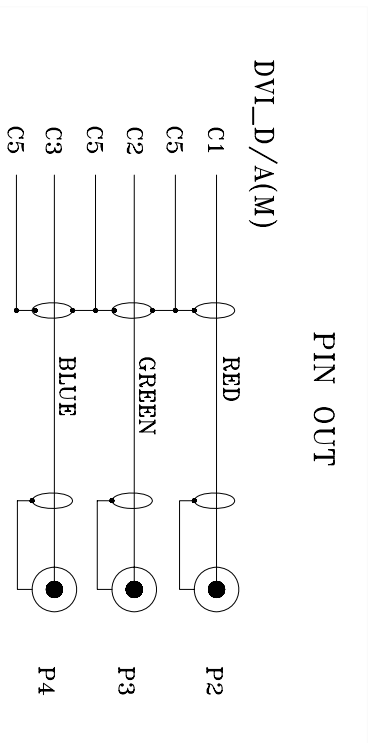
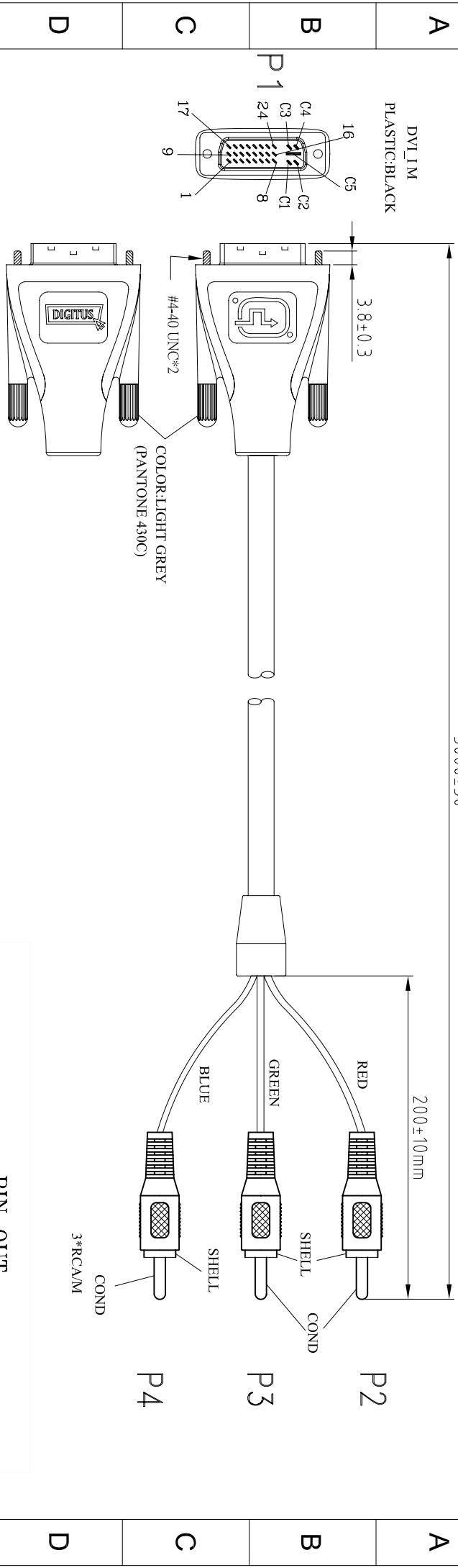


Signature	Revision History	Date	Rev.
N.Xu	For Bulk Production	Dec.08.2007	01

3000±30



NOTES:

- CABEL:UL-2919 28AWG(7/0.127)T.C.(COAX SPIRAL(40/0.12)T.C.75 OHMS) INSULATION:FO-PE INNER JACKET:PVC COLOR:RED, GREEN,BLUE, COAX MID-JACKET OD:Ø2.5±0.1mm AL/MYLAR-BRAID SHIELD(16/10/0.10)T.C. OUTER JACKET:PVC 70P. OD:Ø8.0±0.1mm COLOR:BLACK.
- CONNECTOR:
 - P1: DVI 29P: 24P+5 DIGITAL/ANALOG GOLD FLASH CONTACT NICKEL PLATED SHELL.
 - P2 ~ P4: RCA PLUG NICKEL PLATED CONTACT & SHELL.
 - SHEILD: P1: COPPER-FOIL 360° SOLDERED CONNECTOR SHELL & CABLE BRAID.
 - HOOD:P1:FIRST MOLD:MOULDED TYPE,PVC 30P,COLOR:LIGHT GREY(PANTONE 430C) SECOND MOLD:MOULDED TYPE,PVC 45P COLOR:BLACK.
- P2: MOULDED TYPE, PVC 45P, COLOR: RED.
- P3: MOULDED TYPE, PVC 45P, COLOR: GREEN.
- P4: MOULDED TYPE, PVC 45P, COLOR: BLUE.
- SR: MOULDED TYPE, PVC 45P, COLOR:BLACK.
- THUMB SCREW:#4-40 UNC*2PCS
- PACKING:SEE P-0039 PACKING DRAWING(BINDING SIZE MUST BE SMALLER THAN BLISTER).

Date	Name	Part No.
Dec.08.2007	N. Xu	DK-110028
Dec.08.2007	ALDan	
Dec.08.2007	T.Aulemann	

1	2	3	4	5	6	7											
1	2	3	4	5	6	7											
Rohs Compliant				<table border="1"> <tr> <td colspan="2">ASSMANN</td> <td rowspan="2">DVI 24+5 MALE TO3RCAR(GB) CABLE 2 COLOR MOLD WITH DIGITUS LOGO</td> </tr> <tr> <td>Scale</td> <td>N/A</td> </tr> <tr> <td>Unit</td> <td>MM</td> <td>Sheet</td> </tr> <tr> <td colspan="2"></td> <td>1/1</td> </tr> </table>			ASSMANN		DVI 24+5 MALE TO3RCAR(GB) CABLE 2 COLOR MOLD WITH DIGITUS LOGO	Scale	N/A	Unit	MM	Sheet			1/1
ASSMANN		DVI 24+5 MALE TO3RCAR(GB) CABLE 2 COLOR MOLD WITH DIGITUS LOGO															
Scale	N/A																
Unit	MM	Sheet															
		1/1															

Rohs Compliant

STR1407