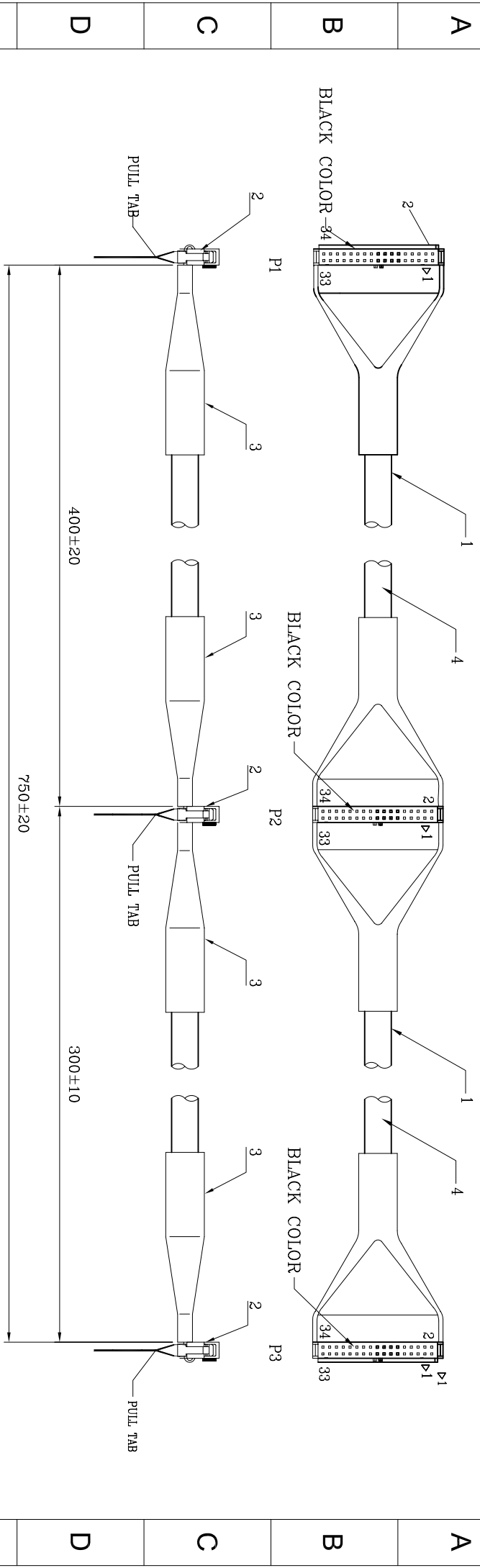


Signature	Revision History	Date	Rev.
Norman Xu	For Bulk Production	Oct.20,2006	01



**NOTE:**

- FLAT CABLE MUST 4 PIN TO SEPARATE
- FLAT CABLE MUST THROUGH PVC TUBE & TRIANGLE HOOD
- 100% OPEN / SHORT / INSULATION TEST
- INSULATION TEST: 2MΩ
- PACKING:SEE P-0039 REV.C PACKING DRAWING

P1	1	2	3	4	5	6	7	8	9	10	11	12	13	14	15	16	17	18	19	20	21	22	23	24	25	26	27	28	29	30	31	32	33	34
P2	1	2	3	4	5	6	7	8	9	10	11	12	13	14	15	16	17	18	19	20	21	22	23	24	25	26	27	28	29	30	31	32	33	34
P3	1	2	3	4	5	6	7	8	9	10	11	12	13	14	15	16	17	18	19	20	21	22	23	24	25	26	27	28	29	30	31	32	33	34

ITEM	DESCRIPTION	Q'TY
1	FLAT CABLE UL2651 28AWG(7/0.127)*34 CONDUCTOR INSULATION:PVC COLOR:GRAY	1
2	FC34P Conductor : Brass, Insulator : PBT UL94V-0, Color: Black With Nose and SR	3
3	TRIANGLE HOOD PVC #90 COLOR:GRAY	4
4	TUBE PVC #90 COLOR:GRAY OD:Ø11.0±0.2mm	1

Drawn by	Oct.20,2006	Norman Xu
Checked by	Oct.20,2006	Alex Dan
Approved by		

Part No.	AK 3620-075ROUND
Title:	3.5" FLOPPY CONNECTOR CABLE:ROUND CABLE DESIGN

RoHS Compliant

EAN Code:  
4016032107118

STR1407

**ASSMANN**  
Electronic GmbH

Scale	N/A	Sheet	1/1
Unit	MM		

1	2	3	4	5	6	7
H	G	F	E	D	C	B