

1

2

3

4

5

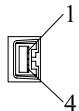
6

7

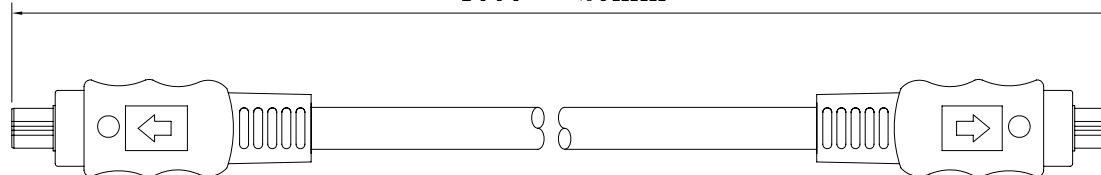
Signature	Revision History	Date	Rev.
Norman Xu	For Bulk Production	Dec.20,2005	01

IEEE1394 4P  
PLASTIC:BLACK

P1

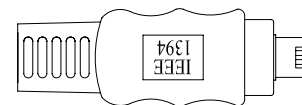
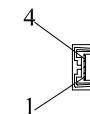


1000 ± 20mm



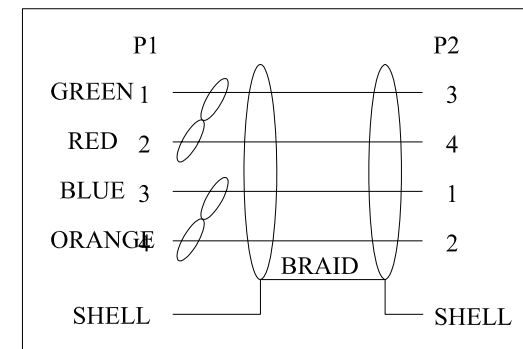
IEEE1394 4P  
PLASTIC:BLACK

P2



NOTE:

- CABLE: [28AWG(7/0.127)T.C\*1PAIR+AL/MYLAR+SPIRAL(66/0.08)]\*2+FILLER+MYLAR\*2+BRAID(90%)+PVC JACKET COLOR:MATT BLACK, OD:6.0 ± 0.15mm UL20276 IEEE 1394 CABLE
- P1&P2: IEEE1394 4PIN MALE GOLD PLATED 15u" CONTACT NICKEL PLATED SHELL.
- HOOD:P1&P2 MOLDED TYPE ,COLOR:MATT BLACK.
- TEST REQUESTED:
  - <1>.100% OPEN SHORT MIS WIRE TEST
  - <2>.CONTACT RESISTANCE 3 OHM MAX
  - <3>.INSULATION RESISTANCE 20M OHM MIN
- PACKING:SEE P-0039 REV.C PACKING DRAWING  
PACKING TYPE: DB VP2  
(HANKING SIZE MUST BE SMALLER THAN PACKING)



Date		Name		Part No.	
Dec.20,2005		Norman Xu		<b>AK-1394-1044</b>	
Checked by		Alex Dan			
Approved by					
<b>ASSMANN</b> Electronic GmbH				Title:	
				1394 A 4PIN MALE TO 1394 A 4PIN MALE CABLE, 1.0M	
				Scale	N/A
Unit	MM				

RoHS Compliant

EAN Code:  
4016032078098

ST81407

1

2

3

4

5

6

7