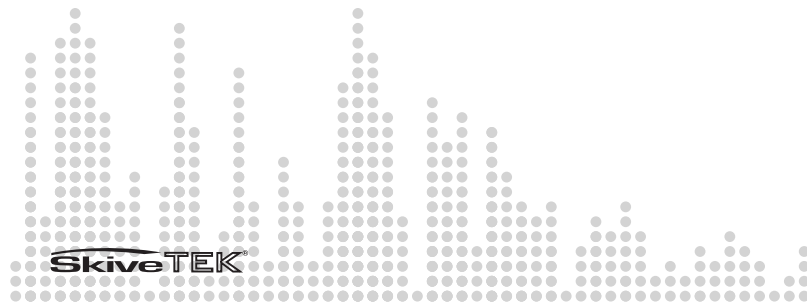
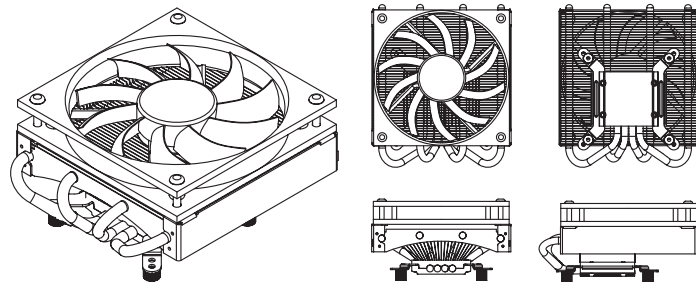




## MANUAL LOW-7000

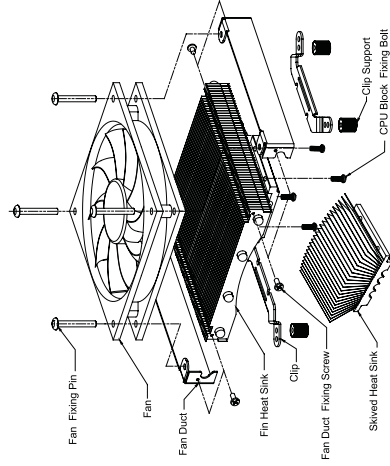
silent low profile cpu cooler  
perfectly balanced performance  
ideal for HTPC's



## 1. Specifications

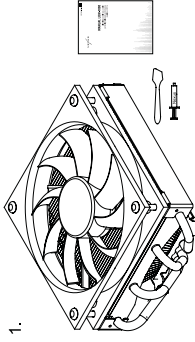
Dimensions (L X W X H)	138 x 123 x 70.3mm (5.43 x 4.84 x 2.77 inch)
Material	Pure Copper - Base Pure Copper - Heat Pipe Pure Aluminum - Skived Heat Sink Pure Aluminum Fins
Weight	475g (16.8oz.)
Fan Size	120 X 120 x 20mm (4.72 X 4.72 x 0.79 inch)
Fan voltage	DC 12 Volt
Fan Functions	PWM Fan
Bearing Type	Sleeve Bearing
Fan Connector	4-Pins
Fan Speed	500~2000 RPM
Fan Noise	15~24 dB(A)
Thermal Grease	Shin Etsu 7762

## 2. Exploded View

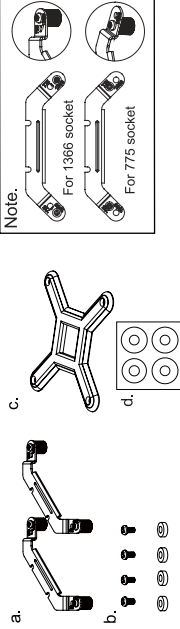


## 3. Components Check List

- LOW-7000
  - User's manual
  - Thermal grease with a spreader
- Intel Mounting Components**
  - Two(2) Clips for Intel 775/1366
  - Four(4) Installing Screws and Washer
  - One(1) backplate for Intel 775 Socket
  - Four Mylar for 775/1366 Socket



Note. You can change clip 775/1366 screw and nipple position for LGA 775 or 1366 socket

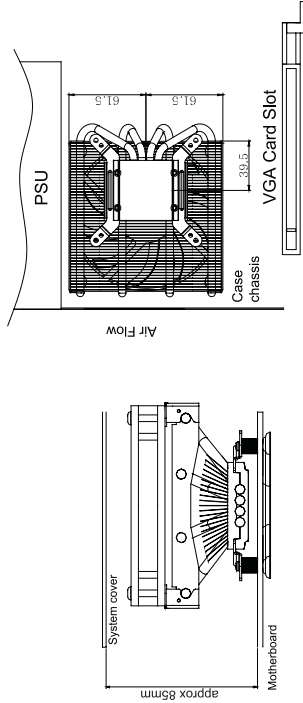


## 4. Precaution

- Do not put your finger in the fan while the fan is spinning.
- If excessive force is exerted on the fan, it may result in malfunction or damage to the product and/or the computer.
- Keep the product away from the reach of children and pets.
- Check the components list and condition of the product before installation. If any problem is found, contact your place of purchase to obtain a replacement / refund.
- Nexus is not responsible for any damages arising from using the product outside of its intended purpose.
- Nexus is not responsible for CPU or Motherboard damages arising from improper cooler installation. Please make yourself familiar with the LOW-7000 installation steps before installing the product.

## 5. Installation Requirements

All Intel Dual Pentium CPU's, Pentium EE, Pentium D, Core i7 (Socket 775/1366)



## 6. Clip Installation

a. LOW-7000 clip installation depends on the motherboard's socket orientation. Please follow the correct direction for your motherboard.

b. For Intel CPUs Choose Intel clips (Figure A)  
 Plug in the Intel clips then tighten up the four(4) screws on the base  
 Please do not take off the SkiveTek Heat Sink from the copper base

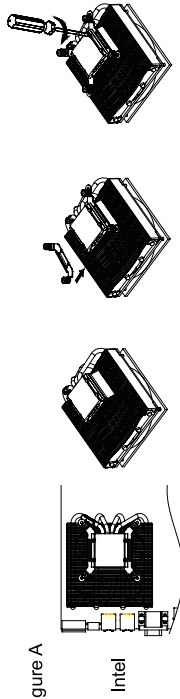
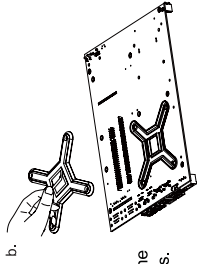


Figure A

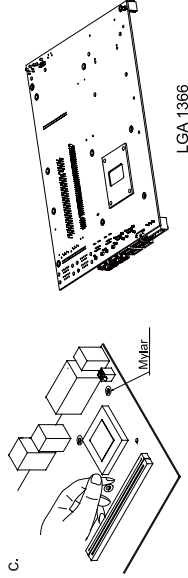
Intel

## 7. INTEL CPU Installation

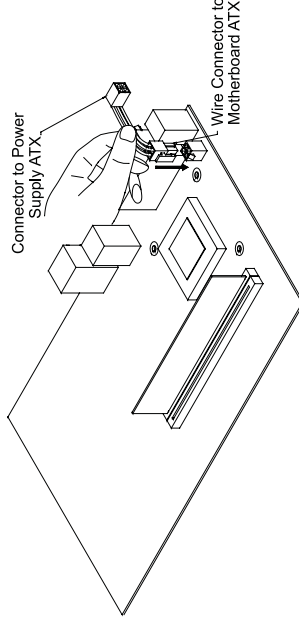
- Install Clips  
 Please refer to chapter 6 for Intel clips
- Install Backplate (LGA 775)  
 - Please remove the motherboard from the system case.  
 - Remove the cover of the double sided sticker on back plate then attach it to the back side of the motherboard where it matches the 4 screw holes, on Intel 775 sockets



- Install Mylar  
 - Please put the four (4) pieces of the Mylar onto the screws



- Install ATX power extension line  
 Please install extension line prior to the cooler. Please insert one side of the ATX power connector into the motherboard ATX connector. After the assembly of the CPU cooler insert the other side of the ATX connector in the power supply.

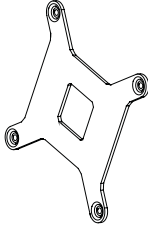


## 8. Optional 1366 Backplate

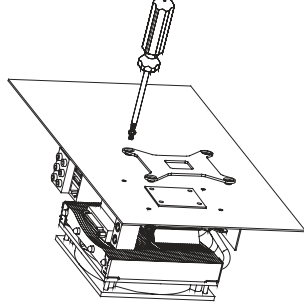
Optional 1366 Backplate is available for a structure enhancement

- Place the motherboard vertically and insert four screws into the corners of the backplate. Hold the LOW-7000 in place, then fasten the screws slightly first. Then fasten the screws in an alternating manner until the clip is completely pressed onto the motherboard.

-Backplate SPEC  
 Backplate size:93\*93\*7.5mm (3.66\*3.66\*0.18 inch)  
 Backplate hod size:80\*80mm (3.15\*3.15 inch)  
 Backplate Material:SPCC  
 Weight:71g(2.51 oz)

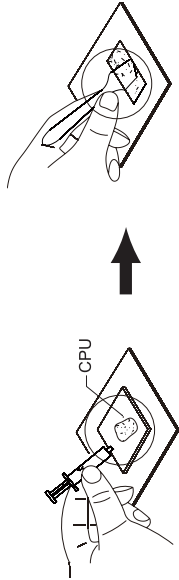


LGA1366 Backplate

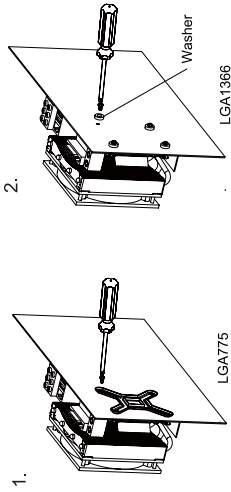


LGA1366 Backplate Insert

- e. Apply thermal grease
- Gently clean the surface of the CPU.
  - Spread the thermal grease on top of the CPU with spreader.
  - Excess use of thermal grease may cause ineffective cooling performance.
  - Spread the thermal grease thinnest possible onto CPU.



- f. Mounting the LOW-7000 onto the CPU
1. For LGA 775
    - Place the motherboard vertically and insert four screws into the corners of the backplate. Hold the LOW-7000 in place, then fasten the screws slightly first. Then, fasten the screws in an alternating manner until the clip is completely pressed onto the motherboard.
  2. For LGA 1366
    - Place the motherboard vertically and place the washers at the holes then fasten the screws slightly.
    - Then fasten the screws in an alternating manner until the clip is completely pressed onto the motherboard.



- g. Fan connector plug in
- Insert the 4-pin Fan connector into the motherboard fan header.

## 9. Notes on Usage

### 1) Checking CPU Compatibility

Please refer to chapter 5 for CPU Compatibility before using the LOW-7000.

### 2) Cautions during Booting

The system may automatically shut down during the booting in such incident, please disable the CPU Fan monitoring option in the system BIOS, or set the CPU fan's rotational speed to 1,200 RPM or lower in the system monitoring

For more information regards on this issue, please check your motherboard manufacturer's website. Disabling CPU fan speed detection in BIOS settings does not affect computer performance.

### 3) OVERCLOCKING

Nexus is not responsible for any damage resulting from system overclocking.

