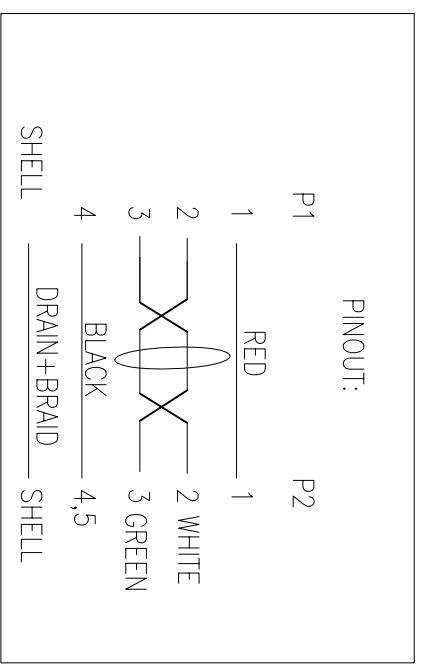
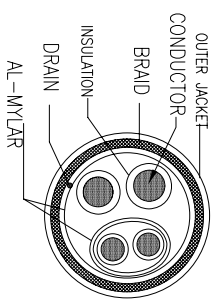
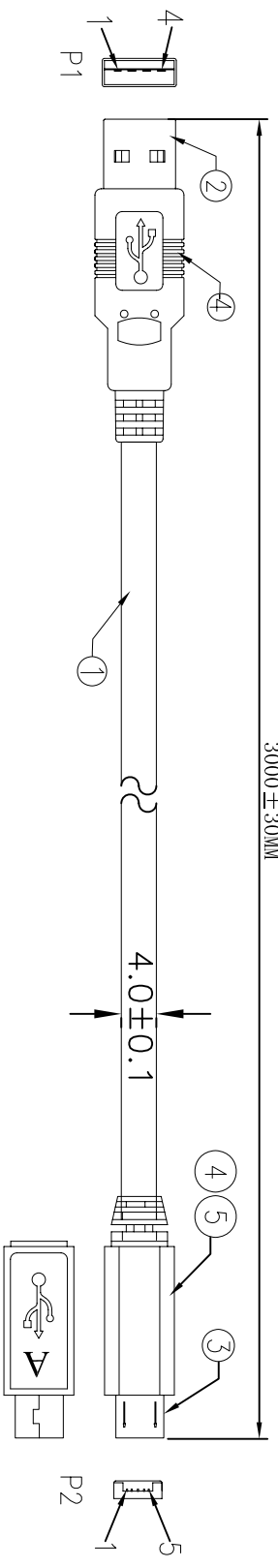


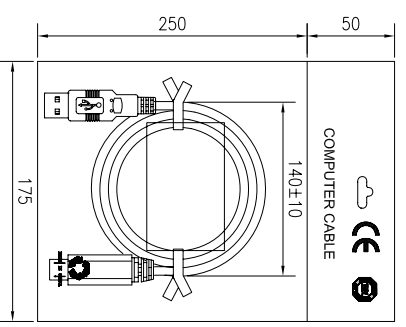
Signature	Revision History	Date	Rev.
Norman Xu	First Release	Jan.18.2007	01

3000 ± 30MM



NOTES:

1. CABLE: UL2725 (28#1P+AL)+28#2C+A+D+B(65%), OD:4.0MM, BLACK.
2. USB A TYPE, 4P MALE, WHITE INSULATION, 30U" GOLD-PLATED CONTACT, SOLER TYPE.
3. Micro USB A TYPE, 30U" GOLD-PLATED CONTACT, SOLDER TYPE.
4. OUTER JACKET: PVC 45P BLACK COLOR.
5. INNER JACKET: PE



RoHS Compliant

1	2	3	4	5	6	7																																																								
A	B	C	D	E	F	G																																																								
<table border="1"> <tr> <td colspan="2">Part No.</td> <td colspan="2">Title.</td> <td colspan="3">Scale</td> </tr> <tr> <td colspan="2">AK 67322</td> <td colspan="2">USB A/M TO MIC USB A/M 3M</td> <td colspan="3">N/A</td> </tr> <tr> <td colspan="2">Date</td> <td colspan="2">Name</td> <td colspan="3">Unit</td> </tr> <tr> <td colspan="2">Jan. 18, 2007</td> <td colspan="2">Norman Xu</td> <td colspan="3">MM</td> </tr> <tr> <td colspan="2">Checked by</td> <td colspan="2">Alex</td> <td colspan="3">Sheet</td> </tr> <tr> <td colspan="2">Jan. 18, 2007</td> <td colspan="2">Alex</td> <td colspan="3">1/1</td> </tr> <tr> <td colspan="2">Approved by</td> <td colspan="2">Herald Kinzel</td> <td colspan="3"></td> </tr> <tr> <td colspan="2">Jan. 19, 2007</td> <td colspan="2">Herald Kinzel</td> <td colspan="3"></td> </tr> </table>							Part No.		Title.		Scale			AK 67322		USB A/M TO MIC USB A/M 3M		N/A			Date		Name		Unit			Jan. 18, 2007		Norman Xu		MM			Checked by		Alex		Sheet			Jan. 18, 2007		Alex		1/1			Approved by		Herald Kinzel					Jan. 19, 2007		Herald Kinzel				
Part No.		Title.		Scale																																																										
AK 67322		USB A/M TO MIC USB A/M 3M		N/A																																																										
Date		Name		Unit																																																										
Jan. 18, 2007		Norman Xu		MM																																																										
Checked by		Alex		Sheet																																																										
Jan. 18, 2007		Alex		1/1																																																										
Approved by		Herald Kinzel																																																												
Jan. 19, 2007		Herald Kinzel																																																												
<table border="1"> <tr> <td colspan="7">ASSMANN Electronic GmbH</td> </tr> <tr> <td colspan="7">ST82436</td> </tr> </table>							ASSMANN Electronic GmbH							ST82436																																																
ASSMANN Electronic GmbH																																																														
ST82436																																																														
H	G	F	E	D	C	B																																																								