

1

2

3

4

5

6

7

Signature	Revision History	Date	Rev.
Alex.Dan	For Bulk Production	Dec.20,2006	01

A

B

C

D

E

F

G

H

A

B

C

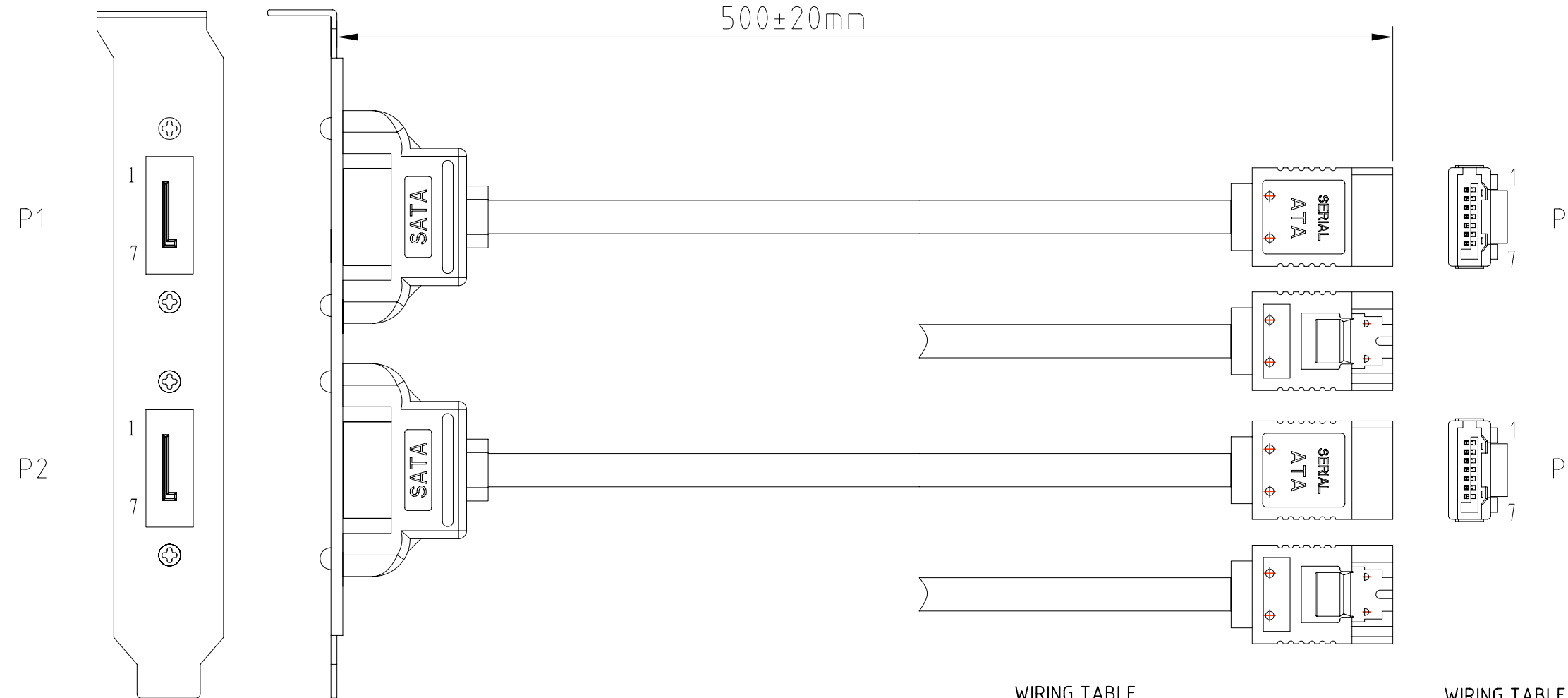
D

E

F

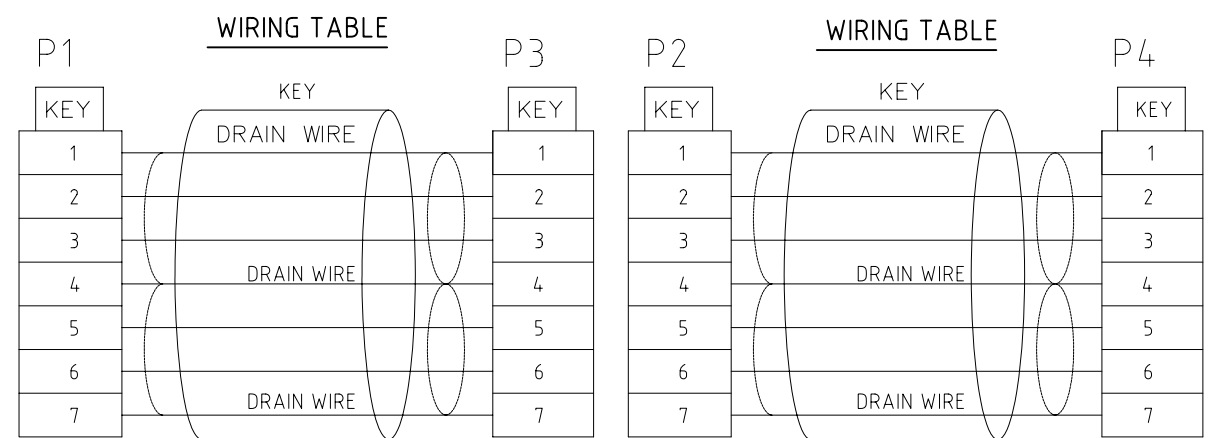
G

H



NOTE:

- CABLE:
UL2725 80°C 30V [26AWG(1/0.404)×2F+AL/MY+DRAIN WIRE(1/0.32)×2]TIN
INS:FOAM-PE OD:φ1.1±0.05mm
PVC JACKET OD:φ(2.2±0.1)×(7.8±0.2)mm COLOR:RED (PANTONE 200C)
- CONNECTOR:
P1 & P2: SATA I 7P L TYPE CRIMP TYPE PBT BLACK G/F W/METAL SHELL
P3 & P4: SATA 7P GOLD FLASH CONTACT, W/METAL LATCH
- HOOD: MOLDED TYPE, PVC 45P, COLOR:BLACK
- CABLE ASS'Y ELECTRICAL TEST:
4-1 100% OPEN SHORT & MIS WIRE TEST
4-2 CONTACT RESISTANCE 3 OHM MAX
4-3 INSULATION RESISTANCE 10M OHM MIN
4-4 HI-POT DC300V/0.01SEC.
- PACKING: SEE P-0039 REV.C PACKING DRAWING



RoHS Compliant

EAN Code: 4016032180203

ST81407

	Date	Name	Part No. AK-SATA-SB2
Drawn by	Dec.20,2006	Alex Dan	
Checked by	Dec.20,2006	Norman Xu	
Approved by			
ASSMANN Electronic GmbH			Title. Slotbracket with SATA Connector
Scale	N/A	Sheet	1/1
Unit	MM		

1

2

3

4

5

6

7