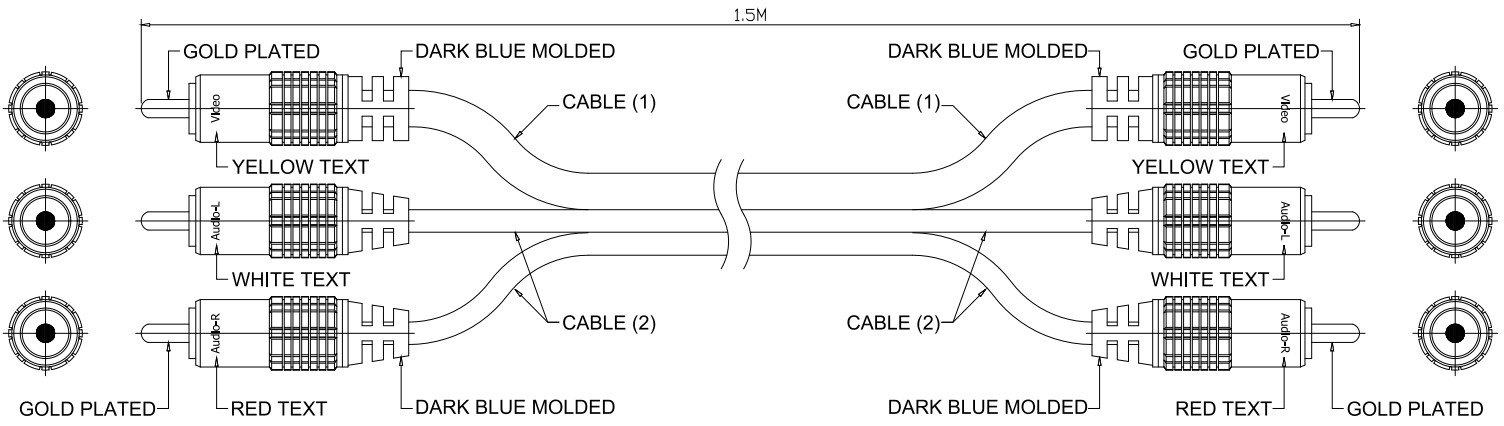
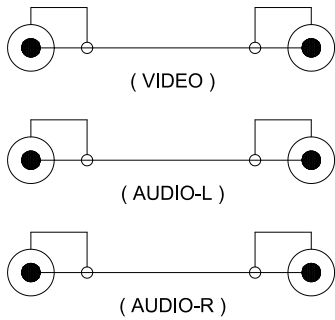


AK-AV504 : 1.5M 3x RCA PLUGS TO 3x RCA PLUGS, GOLD PLATED.



WIRE ADDRESS

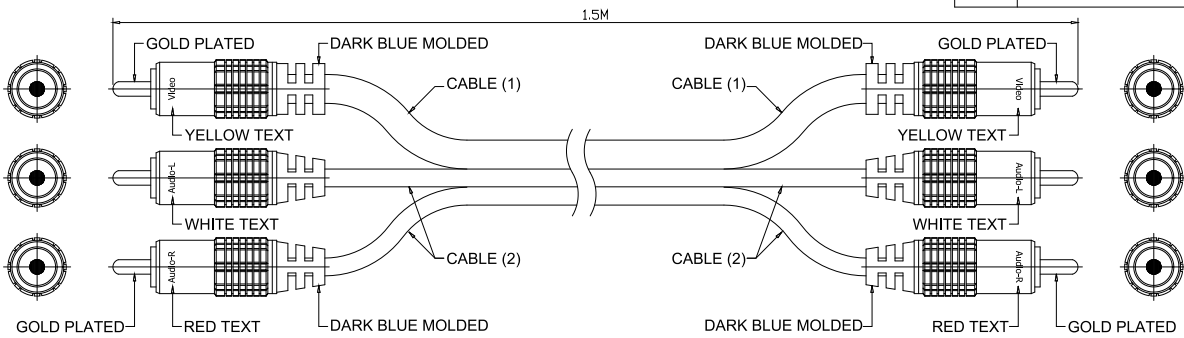


CABLE CONSTRUCTION

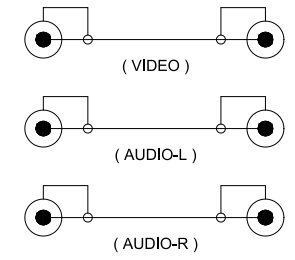
ITEM		CABLE (1) SPEC.	CABLE (2) SPEC.
CENTER CONDUCTOR	MATERIAL	COPPER WIRE	COPPER WIRE
	CONSTRUCT	mm/No. 0.12 x 30	0.12 x 20
	O.D.	mm 0.76 ± 0.05	0.62 ± 0.05
INSULATION	MATERIAL	PE FOAM	PVC
	THICK	mm 1.47 ± 0.10	0.24 ± 0.10
	O.D.	mm 3.70 ± 0.10	1.10 ± 0.10
SPIRAL SHIELD	MATERIAL	X	COPPER WIRE
	CONSTRUCT	mm/No. X	0.12 x 28 ± 3
	TYPE	X	SPIRAL
MIDDLE PVC JACKET	MATERIAL	X	PVC
	O.D.	mm X	2.00 ± 0.10
	FOIL	MATERIAL	FOIL
OUTER BRAID SHIELD	MATERIAL	COPPER WIRE	COPPER WIRE
	CONSTRUCT	mm/No. 0.12 x 7 / 16	0.12 x 6 / 16
	TYPE	BRAID	BRAID
PVC JACKET	MATERIAL	PVC	PVC
	O.D.	mm 6.00 ± 0.15 x 1F	4.00 ± 0.15 x 2F
	COLOR	DARK BLUE	DARK BLUE

AK-AV504 : 1.5M 3x RCA PLUGS TO 3x RCA PLUGS, GOLD PLATED.

08.23.2002 original



WIRE ADDRESS



CABLE CONSTRUCTION

ITEM	CABLE (1) SPEC.	CABLE (2) SPEC.	
CENTER CONDUCTOR	MATERIAL	COPPER WIRE	
	CONSTRUCT	mm/No. 0.12 x 30	0.12 x 20
	O.D.	mm 0.76 ± 0.05	0.62 ± 0.05
INSULATION	MATERIAL	PE FOAM	PVC
	THICK	mm 1.47 ± 0.10	0.24 ± 0.10
	O.D.	mm 3.70 ± 0.10	1.10 ± 0.10
SPIRAL SHIELD	MATERIAL	X	COPPER WIRE
	CONSTRUCT	mm/No. X	0.12 x 28 ± 3
	TYPE	X	SPIRAL
MIDDLE PVC JACKET	MATERIAL	X	PVC
	O.D.	mm X	2.00 ± 0.10
FOIL	MATERIAL	FOIL	FOIL
	CONSTRUCT	mm/No. 0.12 x 7 / 16	0.12 x 6 / 16
OUTER BRAID SHIELD	MATERIAL	COPPER WIRE	COPPER WIRE
	CONSTRUCT	mm/No. 0.12 x 7 / 16	0.12 x 6 / 16
	TYPE	BRAID	BRAID
PVC JACKET	MATERIAL	PVC	PVC
	O.D.	mm 6.00 ± 0.15 x 1F	4.00 ± 0.15 x 2F
	COLOR	DARK BLUE	DARK BLUE

STANDARD TOLERANCE LIMITS UNLESS OTHER SPECIFIED	
RANGE	TOLERANCE
0-5	±0.05
6-25	±0.1
26-50	±0.2
51-100	±0.3
101-200	±0.4
201-500	±0.5
500-1000	±0.6

æi	mm	řŦ	1:1	sí	ý Ŧ Ŧ	Ěá	AK-AV504	Xřé
řk	ÅTřk	ř/E	1/1	Ěá	ASSMANN	Ěá		
TSAY-E INTERNATIONAL INC.								08.23.2002
A@ě-3-1/4								