

1

2

3

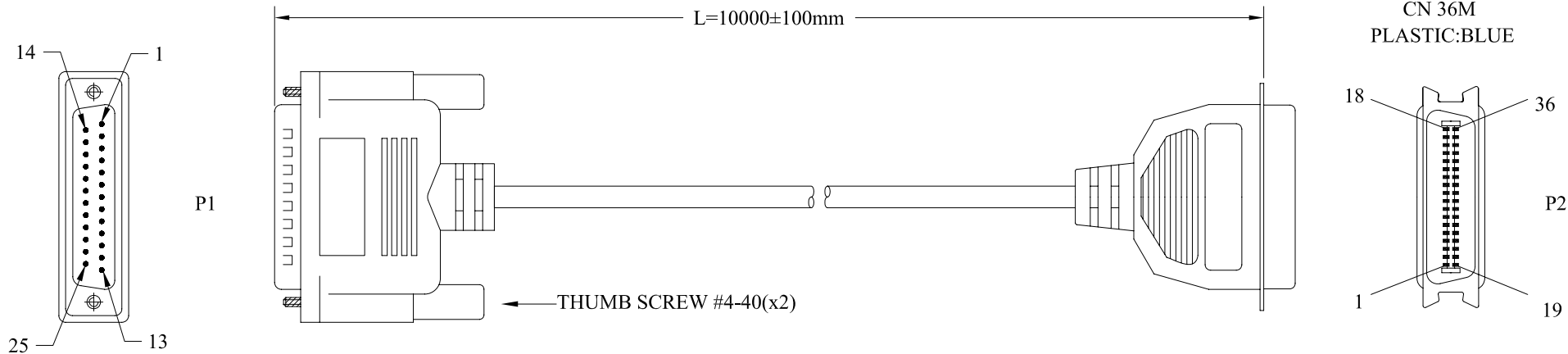
4

5

6

7

Signature	Revision History	Date	Rev.
Alex.Dan	For Bulk Production	Dec.20,2005	01



NOTES:

- 1.CABLE: NON-UL 25C*28AWG(7/0.127)TINNED COPPER INS:PVC
+AL/MYLAR+DRAIN WIRE:26AWG(7/0.16)TINNED COPPER
JACKET:PVC COLOR:BEIGE OD:7.0±0.2mm
- 2.CONNECTOR:
P1:DB 25P MALE,GOLD FLASH CONTACT,NICKEL PLATED SHELL.
P2:CN 36P MALE,GOLD FLASH CONTACT,NICKEL PLATED SHELL.
- 3.HOOD:MOLDED TYPE PVC 45P,COLOR:BEIGE.
- 4.TEST REQUEST:100% OPEN SHORT & MIS WIRE TEST,
CONTACT RESISTANCE 3 OHMS MAX
INSULATION RESISTANCE 20M OHMS MIN
- 5.PACKING:SEE P-0039 REV.C PACKING DRAWING
PACKING TYPE: DB VP5.
(HANKING SIZE MUST BE SMALLER THAN PACKING)

	PIN							OUT						
P1	1	2	3	4	5	6	7	8	9	10	11	12	13	14
P2	1	2	3	4	5	6	7	8	9	10	11	12	13	14
	15	16	17	18	19	20	21	22	23	24	25	SHELL		
	32	31	36	33	19	21	23	25	27	29	30	SHELL		

RoHS Compliant

EAN Code:
4016032062837

ST81407

	Date	Name	Part No. AK 160 10M
Drawn by	Dec.20,2005	Alex Dan	
Checked by	Dec.20,2005	Norman Xu	
Approved by			Title. DB25M/CN 36M,10M
ASSMANN Electronic GmbH			
Scale	N/A		Sheet 1/1
Unit	MM		

1

2

3

4

5

6

7