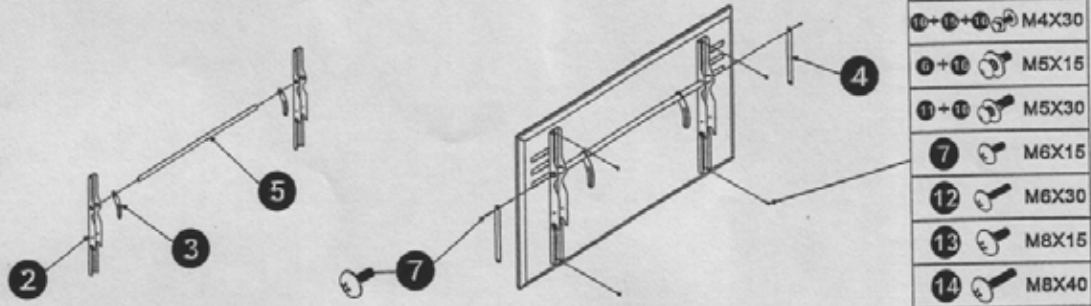
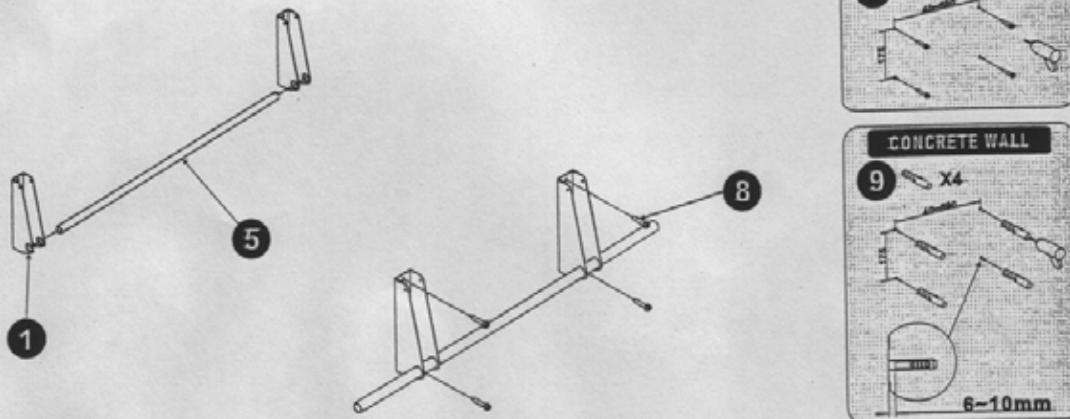


Installation

I. **WARNING: TV Mounting Arms Must Be Level For Proper Installation.**



II. **Attention: the hole distance should be different with TV hole.**



III.

