

1

2

3

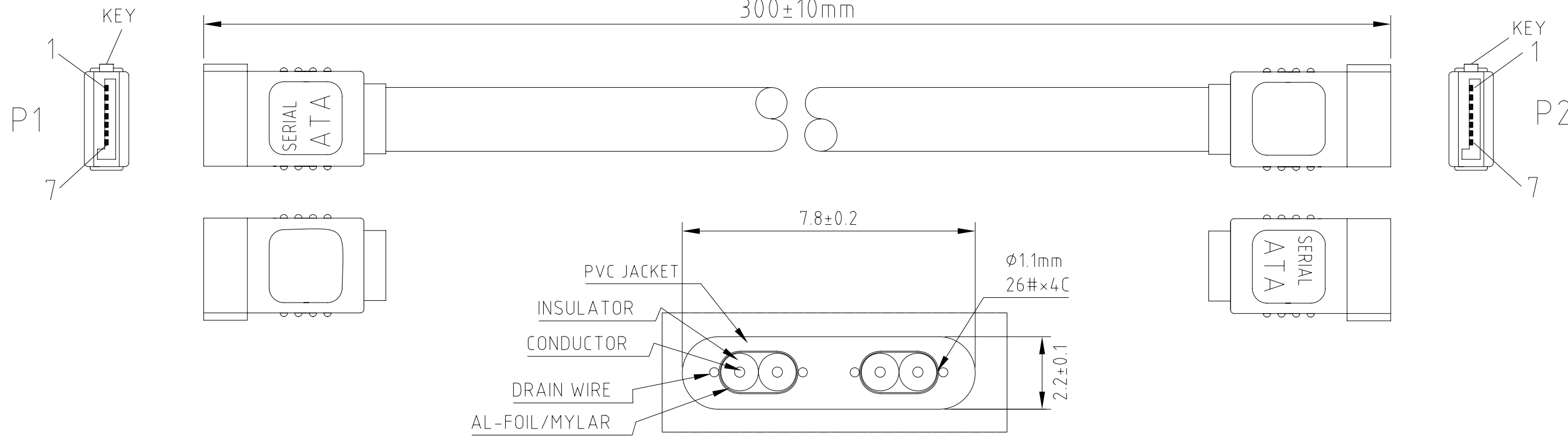
4

5

6

7

Signature	Revision History	Date	Rev.
Alex.Dan	For Bulk Production	Dec.20,2006	01



NOTE:

1. CABLE:

UL2725 80°C 30V [26AWG(1/0.404)×2F+AL/MY+DRAIN WIRE(1/0.32)×2]TIN
 INS:FOAM-PE OD:Ø1.1±0.05mm
 PVC JACKET OD:Ø(2.2±0.1)×(7.8±0.2)mm COLOR:RED (PANTONE 200C)
 PRINT: 2725 E209329 UL AWM 80°C 30V VW-1 Serial ATA 26AWG
 IMPEDANCE: 100±5 OHM

2. CONNECTOR:

2-1 MATERIAL:

HOUSING: HIGH TEMPERATURE POLYESTER & GLASS FIBER UL 94V-0
 TERMINAL: COPPER ALLOY

2-1 PLATING:

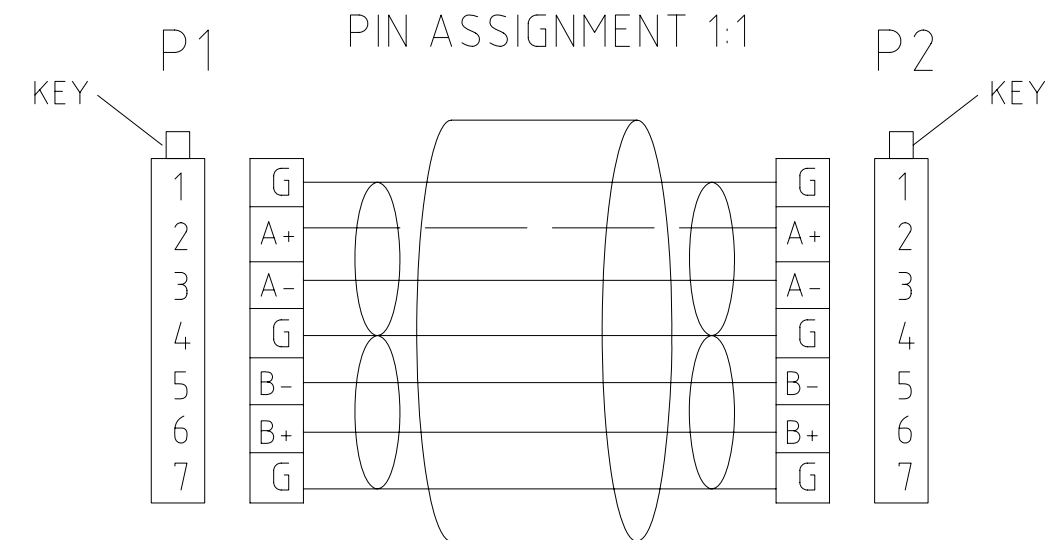
CONTACT AREA: 15u" GOLD PLATED

3. HOOD: MOLDED TYPE, PVC 45P, COLOR:BLACK

4. CABLE ASS'Y ELECTRICAL TEST:

4-1 100% OPEN SHORT & MIS WIRE TEST
 4-2 CONTACT RESISTANCE 2 OHM MAX
 4-3 INSULATION RESISTANCE 20M OHM MIN

5. PACKING: SEE P-0039 REV.C PACKING DRAWING



RoHS Compliant

EAN Code:
4016032152712

ST81407

Date	Name	Part No.			
		AK-SATA-030			
Drawn by	Dec.20,2006	Alex Dan	Title. Serial ATA Connector Cable		
Checked by	Dec.20,2006	Norman Xu			
Approved by					
ASSMANN Electronic GmbH			Scale	N/A	Sheet
			Unit	MM	1/1

1

2

3

4

5

6

7