

1

2

3

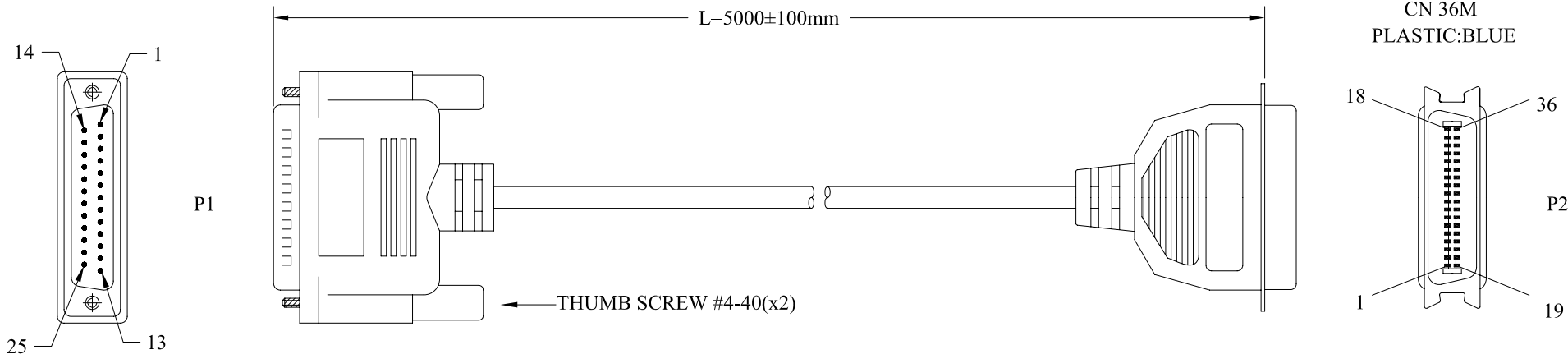
4

5

6

7

Signature	Revision History	Date	Rev.
Alex.Dan	For Bulk Production	Dec.20,2005	01



NOTES:

- 1.CABLE:NON-UL 25C\*28AWG(7/0.127)TINNED COPPER INS:PVC  
+AL/MYLAR+DRAIN WIRE:26AWG(7/0.16)TINNED COPPER  
JACKET:PVC COLOR:BEIGE, OD:7.0±0.2mm
- 2.CONNECTOR:  
P1:DB 25P MALE,GOLD FLASH CONTACT,NICKEL PLATED SHELL.  
P2:CN 36P MALE,GOLD FLASH CONTACT,NICKEL PLATED SHELL.
- 3.HOOD:MOLDED TYPE PVC 45P,COLOR:BEIGE.
- 4.TEST REQUEST:100% OPEN SHORT & MIS WIRE TEST,  
CONTACT RESISTANCE 3 OHMS MAX  
INSULATION RESISTANCE 20M OHMS MIN
- 5.PACKING:SEE P-0039 REV.C PACKING DRAWING  
PACKING TYPE: DB VP5.  
(HANKING SIZE MUST BE SMALLER THAN PACKING)

PIN OUT														
P1	1	2	3	4	5	6	7	8	9	10	11	12	13	14
P2	1	2	3	4	5	6	7	8	9	10	11	12	13	14
	15	16	17	18	19	20	21	22	23	24	25	SHELL		
	32	31	36	33	19	21	23	25	27	29	30	SHELL		

RoHS Compliant

EAN Code:  
4016032062813

Drawn by	Date	Name	Part No.  <b>AK 158 5M</b>
	Dec.20,2005	Alex Dan	
	Checked by	Norman Xu	
Approved by			Title. <b>DB25M/CN 36M,5M</b>
<b>ASSMANN</b>			
Electronic GmbH			
Scale	N/A	Sheet	1/1
Unit	MM		

ST81407

1

2

3

4

5

6

7